

Radiator thermostats for domestic 2-pipe systems RAS-D² range



Application



RAS-D² radiator thermostats are designed for use in 2-pipe domestic heating systems like designer radiators or towel rails.

All RAS-D² Combi Packs comprise of a RA-FS bi-directional valve and a RAS-D² sensor designed for 2-pipe heating systems.

Combi Packs are also available with a RLV-D lockshield valve. For further data on the lockshield valve please see separate RLV-D data sheet.

The valves have a 1/2" BSP (R1/2") tail piece connection to the radiator and include 8mm,

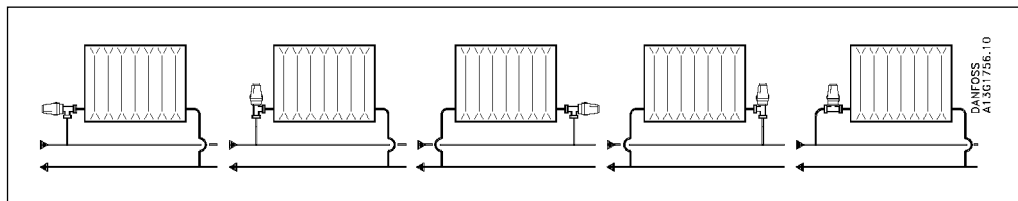
10mm and 15mm compression fittings to connect the valve to the pipe work.

The valve bodies are reversible and bi-directional and include a flow-selectable feature to ensure trouble free installation without any risk of water hammer.

The valve is supplied with a protective cap, which can be used for manual regulation during the construction phase. The cap must not be used as a manual shut off device.

RAS-D² sensors incorporate a "Frost Protection" setting and a "Positive Off" feature for maximum user flexibility. Temperature range is from 8°C to 28°C.

System



Ordering

Symbol	Type	Code no.	Comprising	Temp. range °C X _p = 2K
	RAS-D ² Combi White	013G6013	15 mm bi-directional angle valve body and thermostatic sensor. 8/10/15 mm fittings. Allen key for fixing sensor	8 - 28
	RAS-D ² Combi Chrome	013G6012	15 mm bi-directional angle valve body and thermostatic sensor. 8/10/15 mm fittings. Allen key for fixing sensor	8 - 28
	RAS-D ² Combi White	013G6017	15 mm bi-directional angle valve body, lockshield valve, thermostatic sensor 8/10/15 mm fittings. Allen key for fixing sensor	8 - 28
	RAS-D ² Combi Chrome	013G6016	15 mm bi-directional angle valve body, lockshield valve, thermostatic sensor 8/10/15 mm fittings. Allen key for fixing sensor	8 - 28

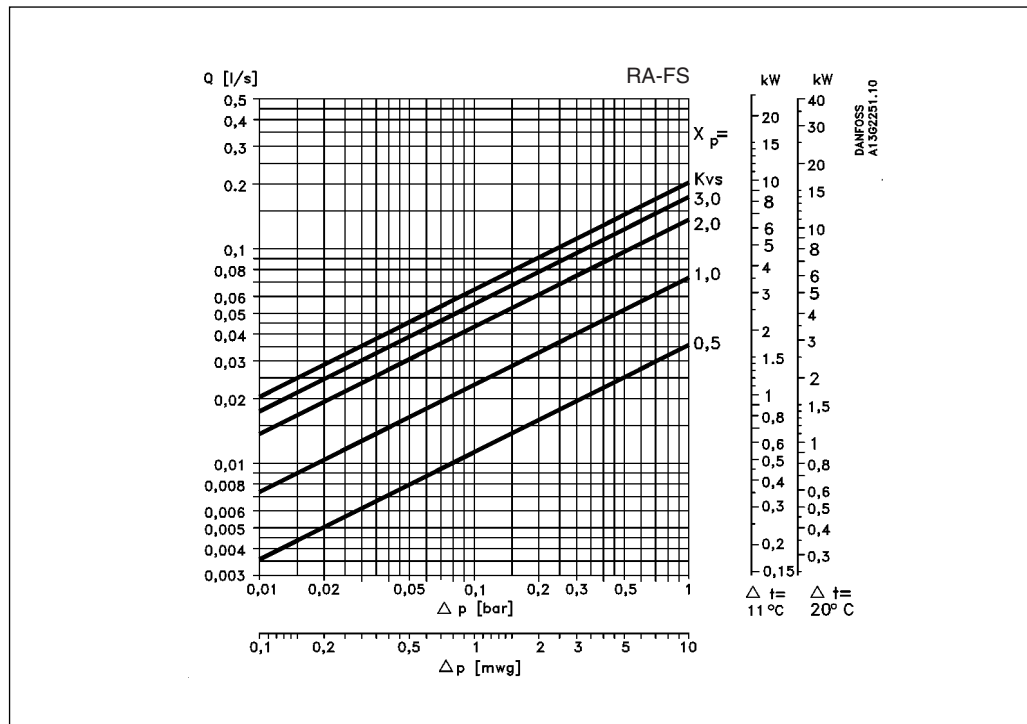
Ordering

Symbol	Type	Code no.	Comprising	Temp. range °C $X_p = 2K$
	RAS-D ² Combi White	013G6015	15 mm bi-directional straight valve body and thermostatic sensor. 8/10/15 mm fittings. Allen key for fixing sensor	8 - 28
	RAS-D ² Combi Chrome	013G6014	15 mm bi-directional straight valve body and thermostatic sensor. 8/10/15 mm fittings. Allen key for fixing sensor	8 - 28
	RAS-D ² Combi White	013G6019	15 mm bi-directional straight valve body, lockshield valve, thermostatic sensor 8/10/15 mm fittings. Allen key for fixing sensor	8 - 28
	RAS-D ² Combi Chrome	013G6018	15 mm bi-directional straight valve body, lockshield valve, thermostatic sensor 8/10/15 mm fittings. Allen key for fixing sensor	8 - 28

Quality standards

All Danfoss radiator thermostats and valves are manufactured in factories, assessed and certified by BSI against ISO 9001 / BS 5750.

Capacities

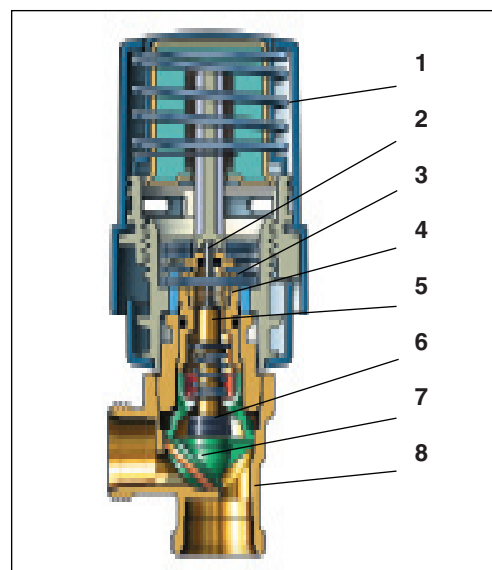


Capacity with P-band between 0.5K and 3K

Design

Valve bodies are manufactured from brass with chrome plating. The spindle in the gland seal is of chromium steel and works in a lifetime lubricated o-ring. The complete gland assembly can be replaced without draining down the system.

1. Sensor
2. Pressure pin
3. Gland seal
4. Revolver setting knob
5. Spindle
6. Bi-directional valve cone
7. Revolver
8. Valve body



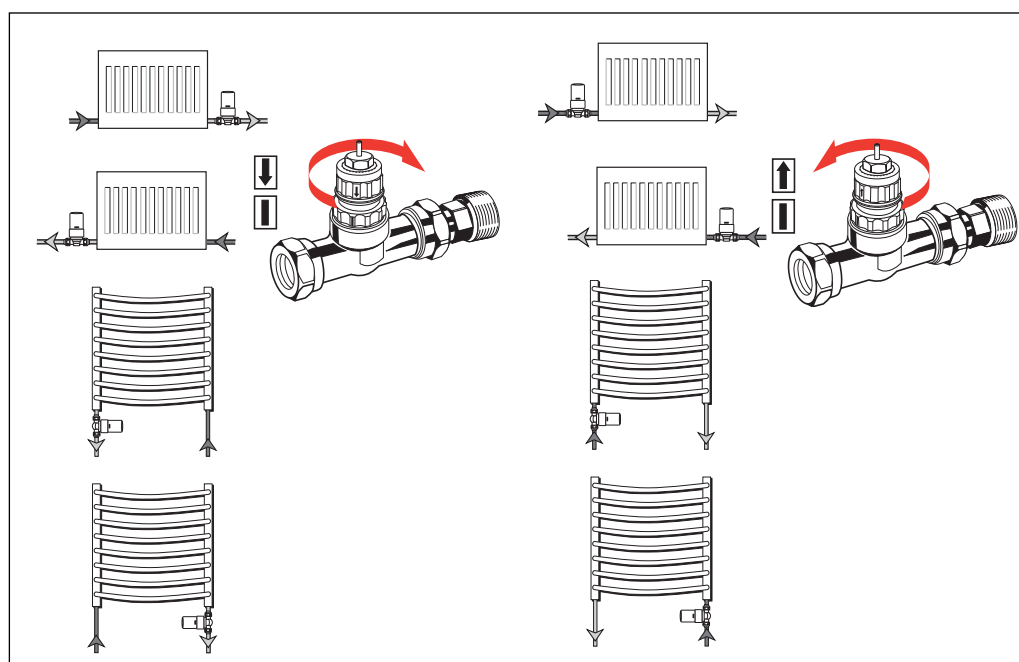
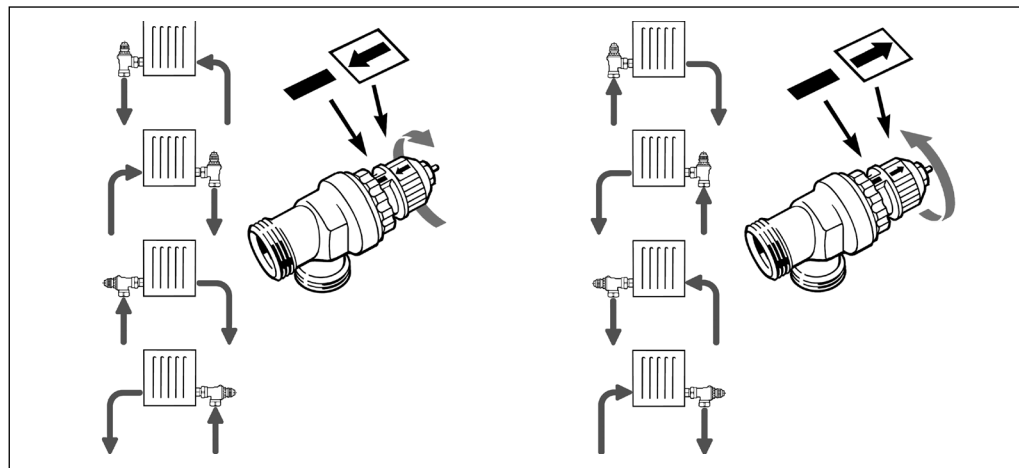
Valve setting

Commissioning the valve

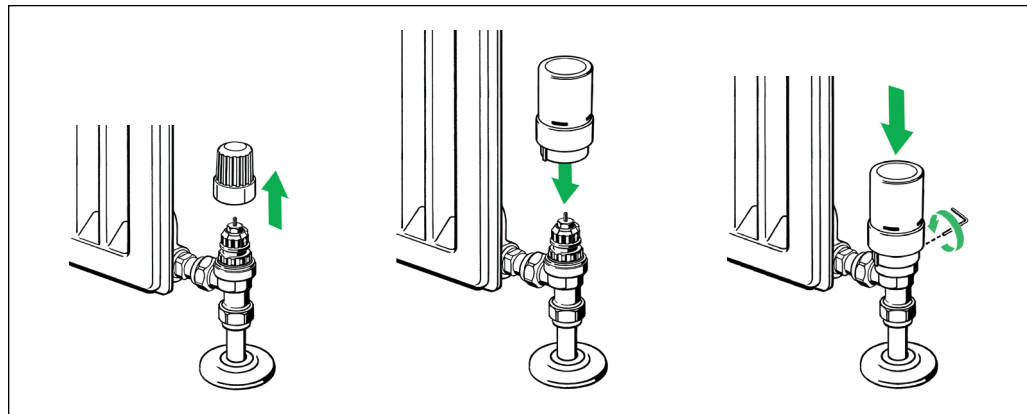
The valve is a bidirectional valve with a flow direction selection feature. This feature does not have to be used, although we recommend that it is set during system commissioning.

- Establish the flow direction through the valve using these diagrams, turning the setting ring as necessary to ensure that water flow through the valve is always in the correct direction and the risk of water hammer is eliminated.

- If the flow direction needs to be changed there is no need to remove the valve, simply turn the setting ring.



Fitting the Sensor



1. Remove cap from valve and turn sensor to
2. Press the sensor firmly onto the valve.
Sensor horizontal:
ensuring that the scale pointer is at top.
Sensor vertical:
ensuring that the scale pointer is at the front.

3. Whilst holding the sensor firmly on the valve secure connection by tightening the Allen screw using the enclosed key.
4. Set desired room temperature.

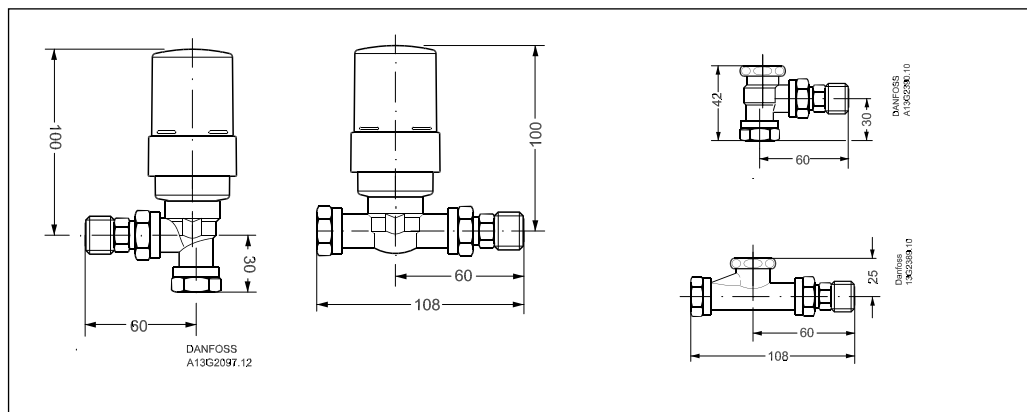
Removing the Sensor

Loosen the Allen screw (3). The sensor can now be separated from the valve.

Accessories

Symbol	Code no.	Description
	013G0290	RA 2000 gland seals (sold in boxes of 10)
	013G5001	Blanking cap (sold singly)

Dimensions



Danfoss can accept no responsibility for possible errors in catalogues, brochures and other printed material. Danfoss reserves the right to alter its products without notice. This also applies to products already on order provided that such alterations can be made without subsequential changes being necessary in specifications already agreed. All trademarks in this material are property of the respective companies. Danfoss and the Danfoss logotype are trademarks of Danfoss A/S. All rights reserved.



Danfoss Randall Ltd.

Amphill Road
Bedford
MK42 9ER
Telephone: 01234 364621
Fax: 01234 219705
e-mail: danfossrandall@danfoss.com
Website: www.danfoss-randall.co.uk